



AWNINGS | 1600

 breezefree

AWNINGS | 1600

AWNINGS | 1600

- 4 Introduction
- 6 Gallery
- 10 Features & Components
- 12 Dimensions
- 12 Details
- 14 Fixing Options
- 16 Fabric Colours
- 17 Metalwork Colours
- 18 Branding
- 19 Remote Control



AWNINGS | 1600

Contract-quality folding-arm awnings, such as our 1600 Awnings, are durable and stylish. They can be used to provide shade and shelter from light rain as well as adding a splash of colour or a space for branding to a building facade.

1600 Awnings have a stylish, unique form which has won it the IF Product Design Award. They boast double-link chain arms to ensure a taut fabric canopy and are easily adjustable to provide full or partial overhead cover to a variety of areas.

- Increase visibility and attract passers by.
- Extend alfresco trading by providing shade and shelter from light rain.
- Advertising and branding opportunities on the awning cover and valance.
- Allows an outdoor space to be used in the evenings and in colder conditions when combined with other products such as SmartScreens, heaters and lighting.

AWNINGS | 1600



AWNINGS | 1600

en-suite rooms



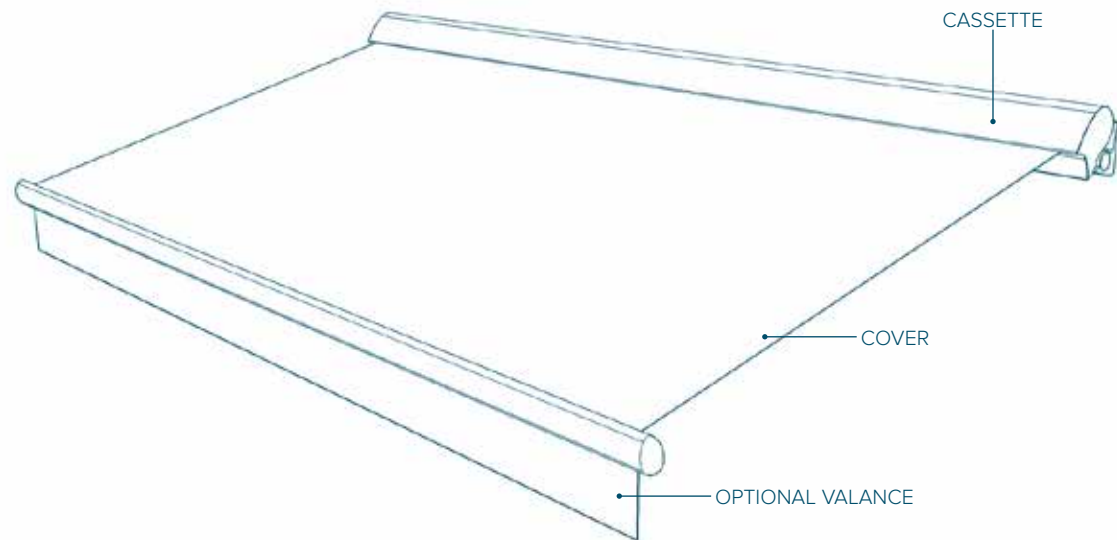
AWNINGS | 1600

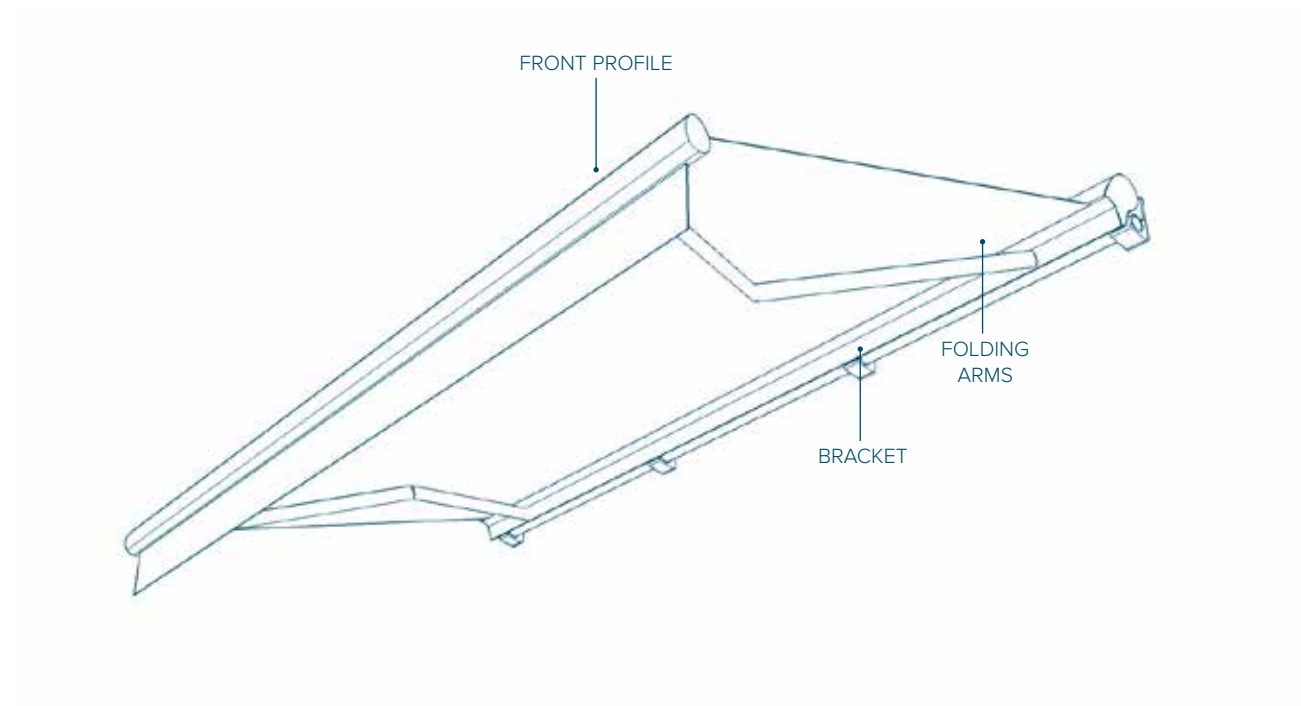


AWNINGS | 1600



- Attractive, rounded awning cassette.
- Optional Valance.
- Superior robustness and durability.
- Powder coating in 7 standard colours.
- Large selection of fabrics available.



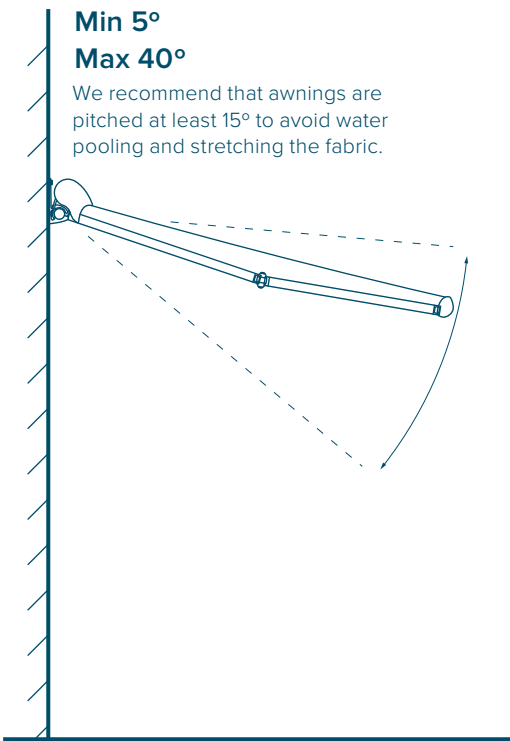


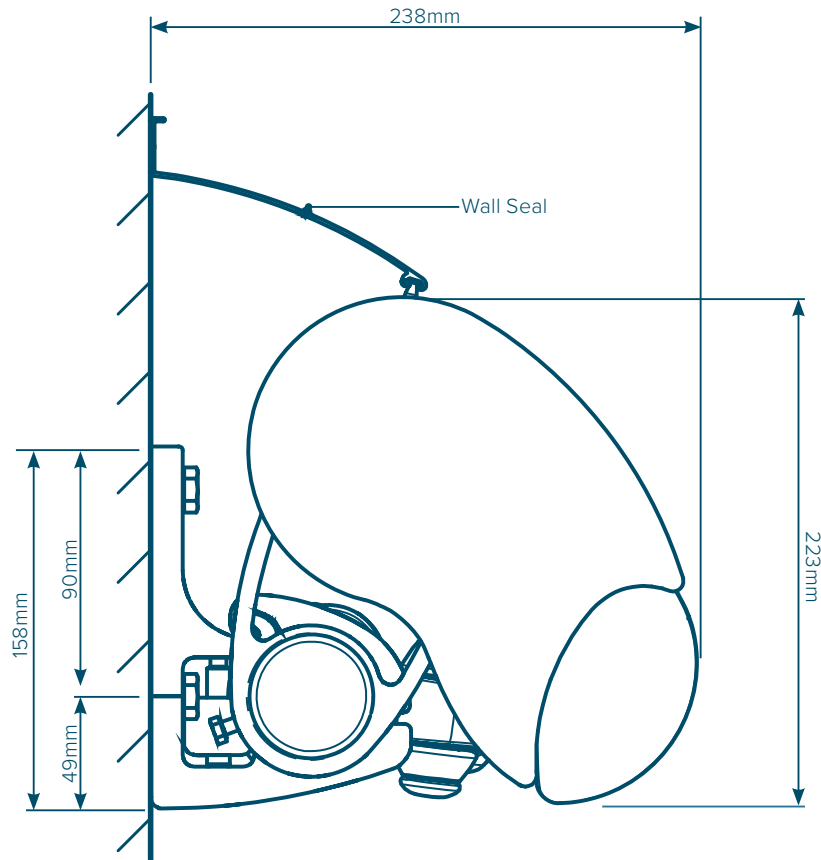
SINGLE AWNINGS

WIDTH - mm	MAXIMUM PROJECTION - mm
2600 - 7100	1500
2600 - 7100	2000
3100 - 7100	2500
3600 - 7100	3000
4100 - 7100	3500
4600 - 7100	4000

DOUBLE AWNINGS

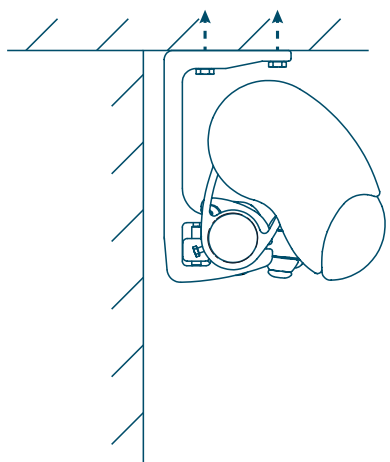
WIDTH - mm	MAXIMUM PROJECTION - mm
5100 - 14000	1500
5100 - 14000	2000
6100 - 14000	2500
7100 - 14000	3000
8100 - 14000	3500
9100 - 14000	4000



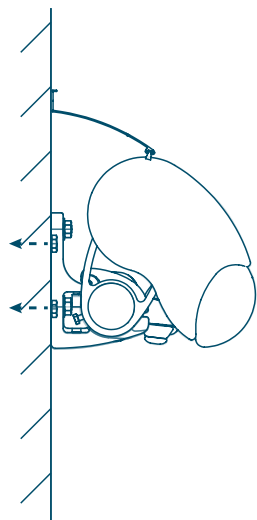


COVER FABRIC OPTIONS	LIMITATIONS
Sun-silk	
Acrylic 34	
Widely woven acrylic	Up to 3000mm projection Up to 5600mm width
Soltis 92	Up to 2500mm projection Up to 6100mm width
PVC Fabric	Up to 2500mm projection Up to 6100mm width

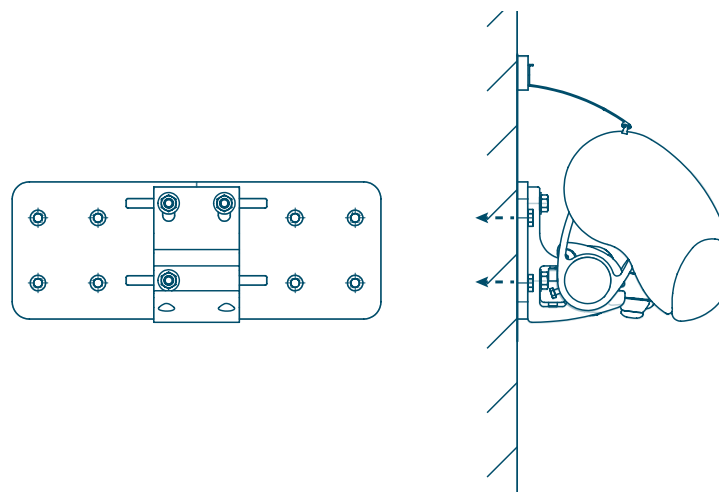
TOP FIXED



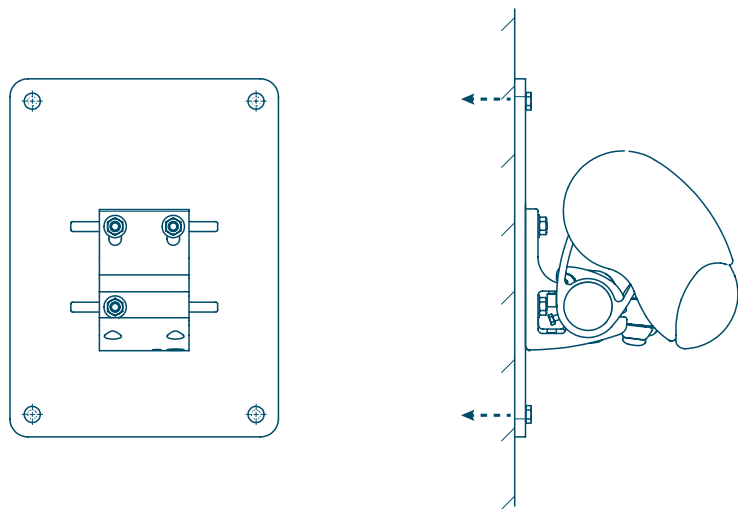
BACK FIXED



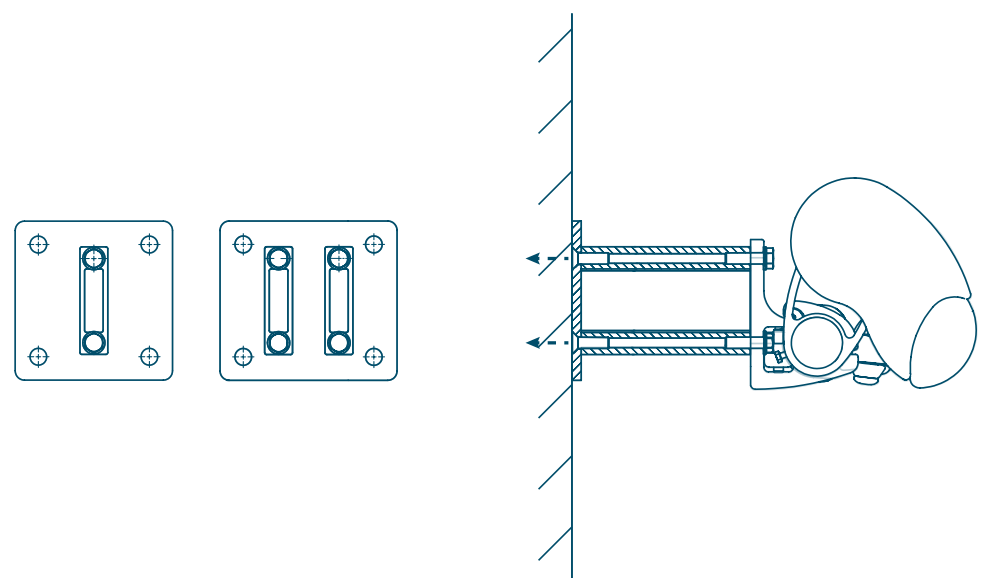
BACK FIXED WITH SPREADER PLATE (A)



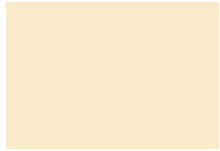
BACK FIXED WITH SPREADER PLATE (B)



BACK FIXED STAND-OFF BRACKET



STANDARD



31009



31109



31117



31114



31008



31038



31037



31047



31067



31007



31018



31027



31011



31021



31031



31004



31002



31012



31003



31013



31006



31016



31026



31036



31046



31028



31015



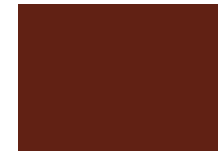
31025



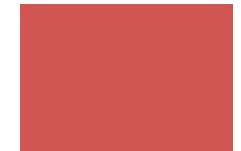
31023



31005



31007

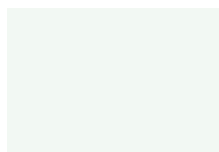


31014

Don't see the colour you want? Please contact our team and we'll do our best to find a match.

Please note: colours shown are indicative only. For an exact match, please contact Breezefree and request a physical sample.

STANDARD



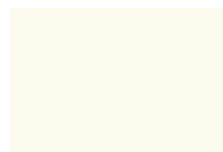
Traffic White
9016



White Aluminium
9006



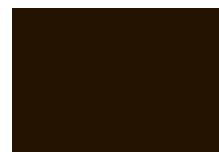
Light Ivory
1015



Off-White, textured
5233



Anthracite Metallic
5204



Black Brown
8019



Stone Grey Metallic
5215

RAL



Sandy Yellow
1002



Pastel Yellow
1034



Traffic Yellow
1023



Yellow Orange
2000



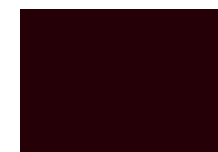
Vermilion
2002



Carmine Red
3002



Magenta
3004



Black Red
3007



Blue Lilac
4005



Signal Blue
5005



Pigeon Blue
5014



Night Blue
5022



Moss Green
6005



Fir Green
6009



Reseda Green
6011



Black Green
6012



Slate Grey
7015



Black Grey
7021



Stone Grey
7030



Pebble Grey
7032



Light Grey
7035



Quartz Grey
7039



Window Grey
7040

Don't see the colour you want? Please contact our team and we'll do our best to find a match.

Please note: colours shown are indicative only. For an exact match, please contact Breezefree and request a physical sample.

Breezefree's print department will ensure that your awnings project your image effectively. The possibilities are almost limitless, from simple logos through to large, complex designs.



1600 Awnings can be manually operated or motorized and extended/retracted via remote control.

A single remote control can be programmed to control multiple awnings.





Unit 7 Mitcham Industrial Estate
Streatham Road
Mitcham
CR4 2AP

+44 (0)20 8877 3030 | breezefree.com